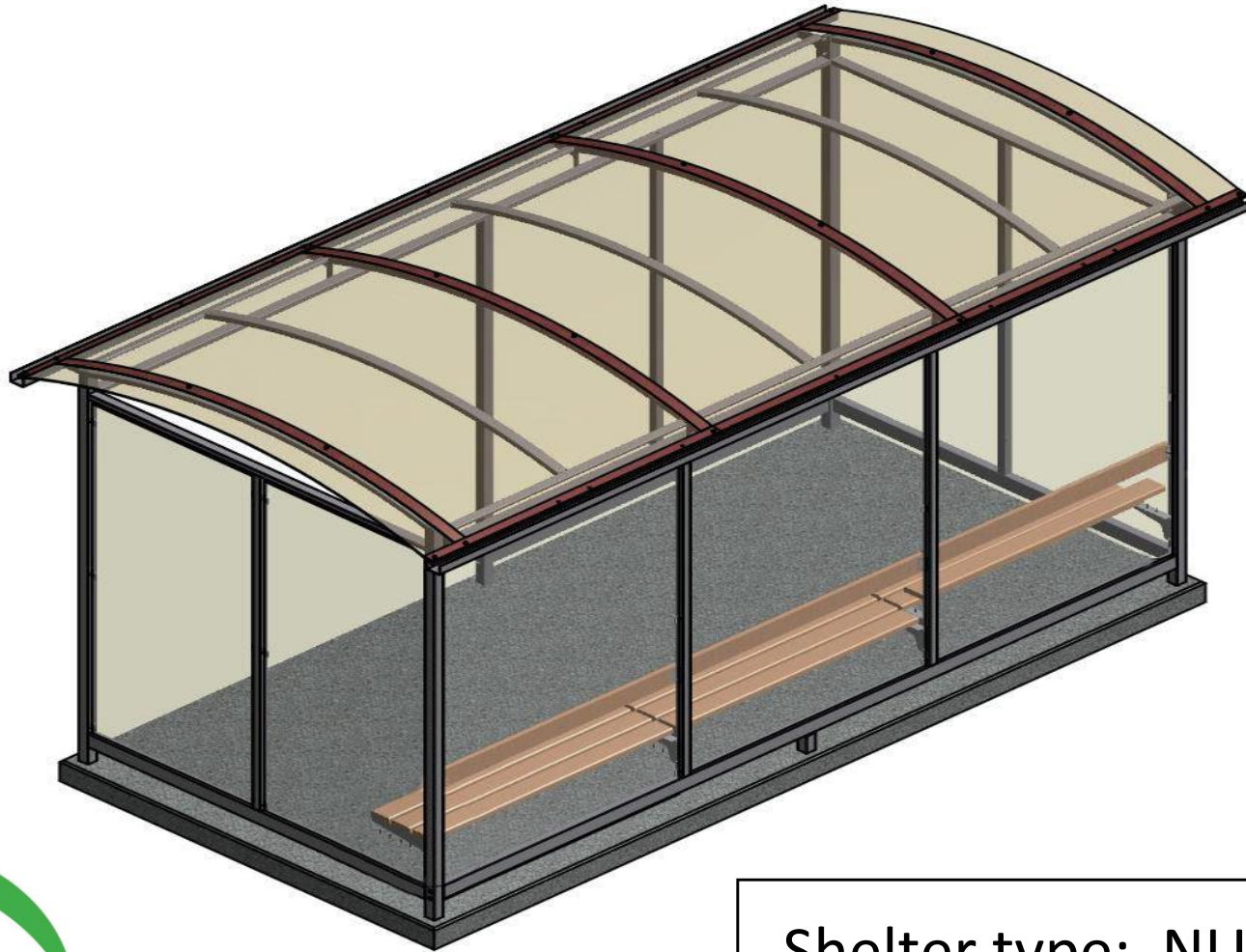


# Hilton Assembly Instructions



NU

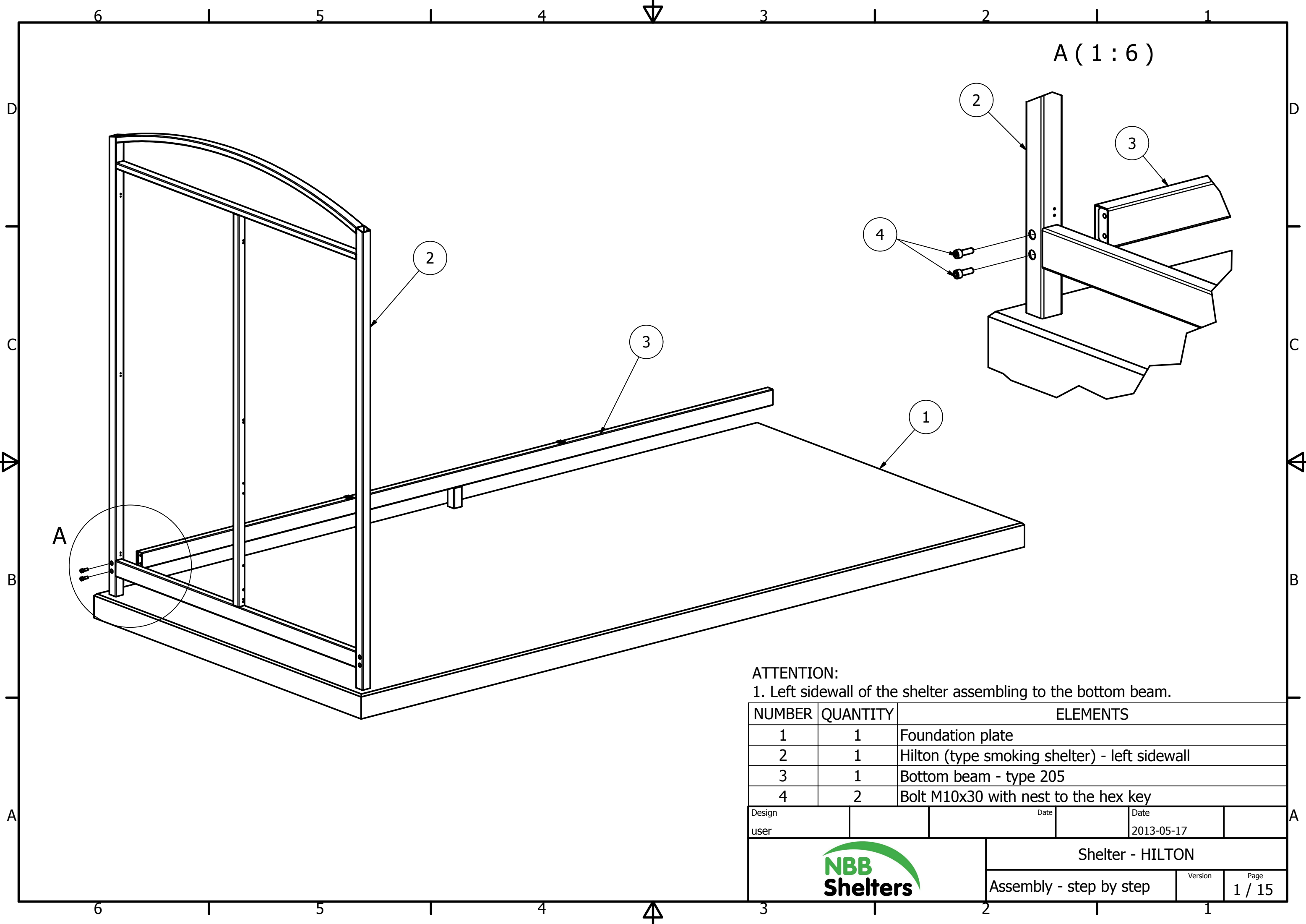


Email: [sales@nobutts.co.uk](mailto:sales@nobutts.co.uk)

Tel: 0800 1777 052

Shelter type: NUB012/013/014

HS-01-06092016-NBB




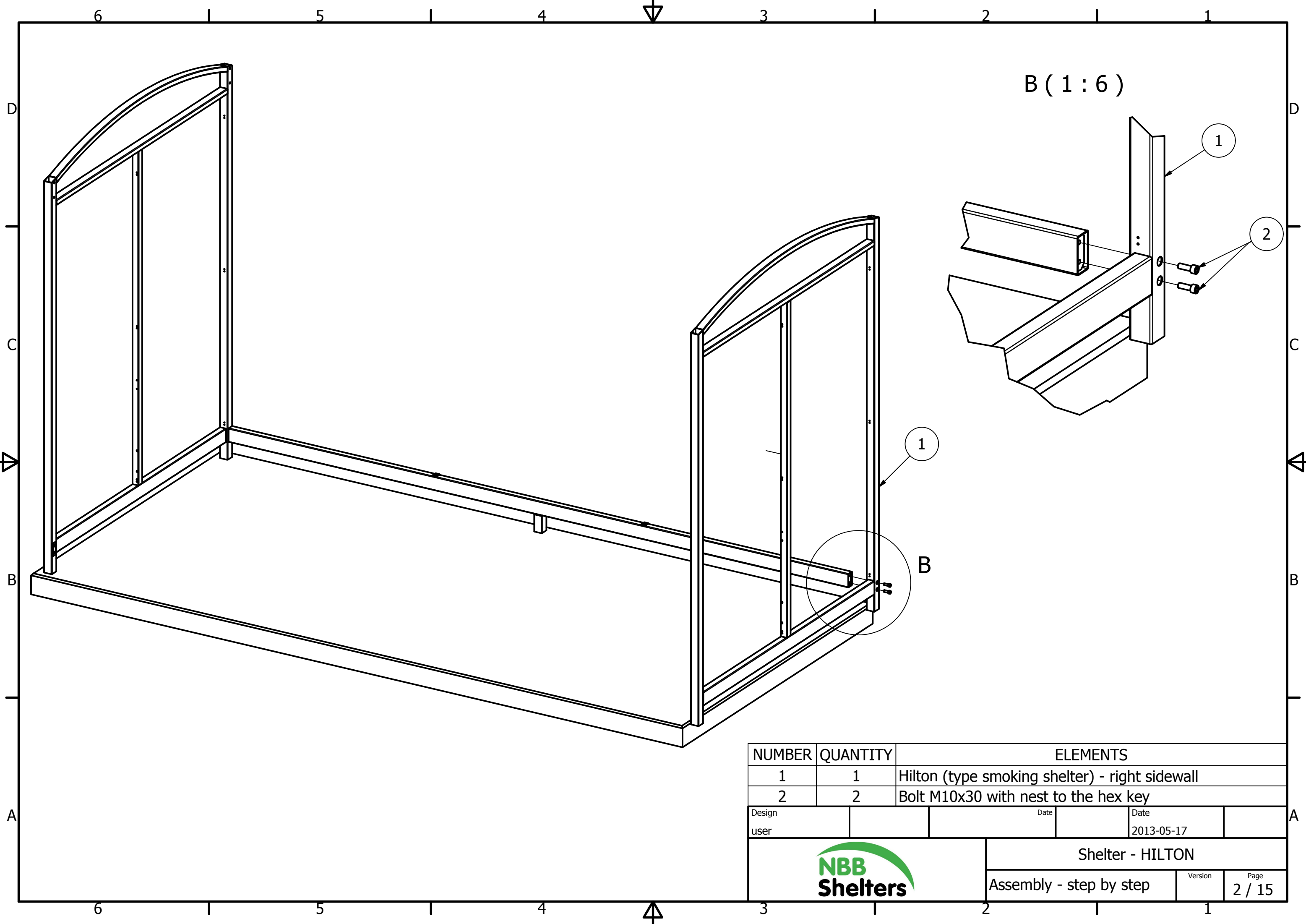
**ATTENTION:**

1. Left sidewall of the shelter assembling to the bottom beam.

NUMBER	QUANTITY	ELEMENTS
1	1	Foundation plate
2	1	Hilton (type smoking shelter) - left sidewall
3	1	Bottom beam - type 205
4	2	Bolt M10x30 with nest to the hex key


Design user		Date		Date	2013-05-17
-------------	--	------	--	------	------------

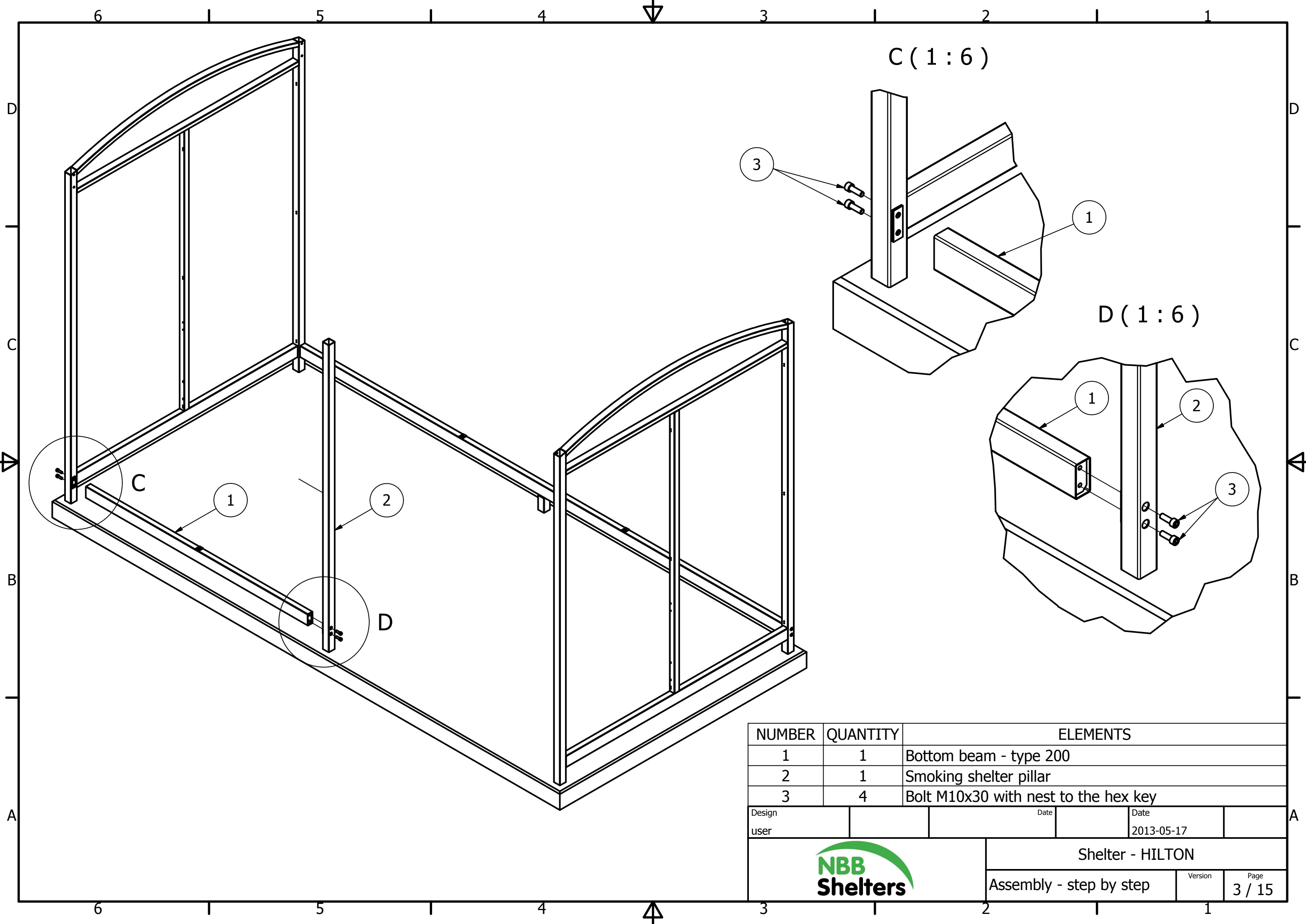
	Shelter - HILTON	
	Assembly - step by step	Version Page 1 / 15



NUMBER	QUANTITY	ELEMENTS
1	1	Hilton (type smoking shelter) - right sidewall
2	2	Bolt M10x30 with nest to the hex key

Design		Date	
user		2013-05-17	

		Shelter - HILTON	
		Assembly - step by step	Version Page 2 / 15



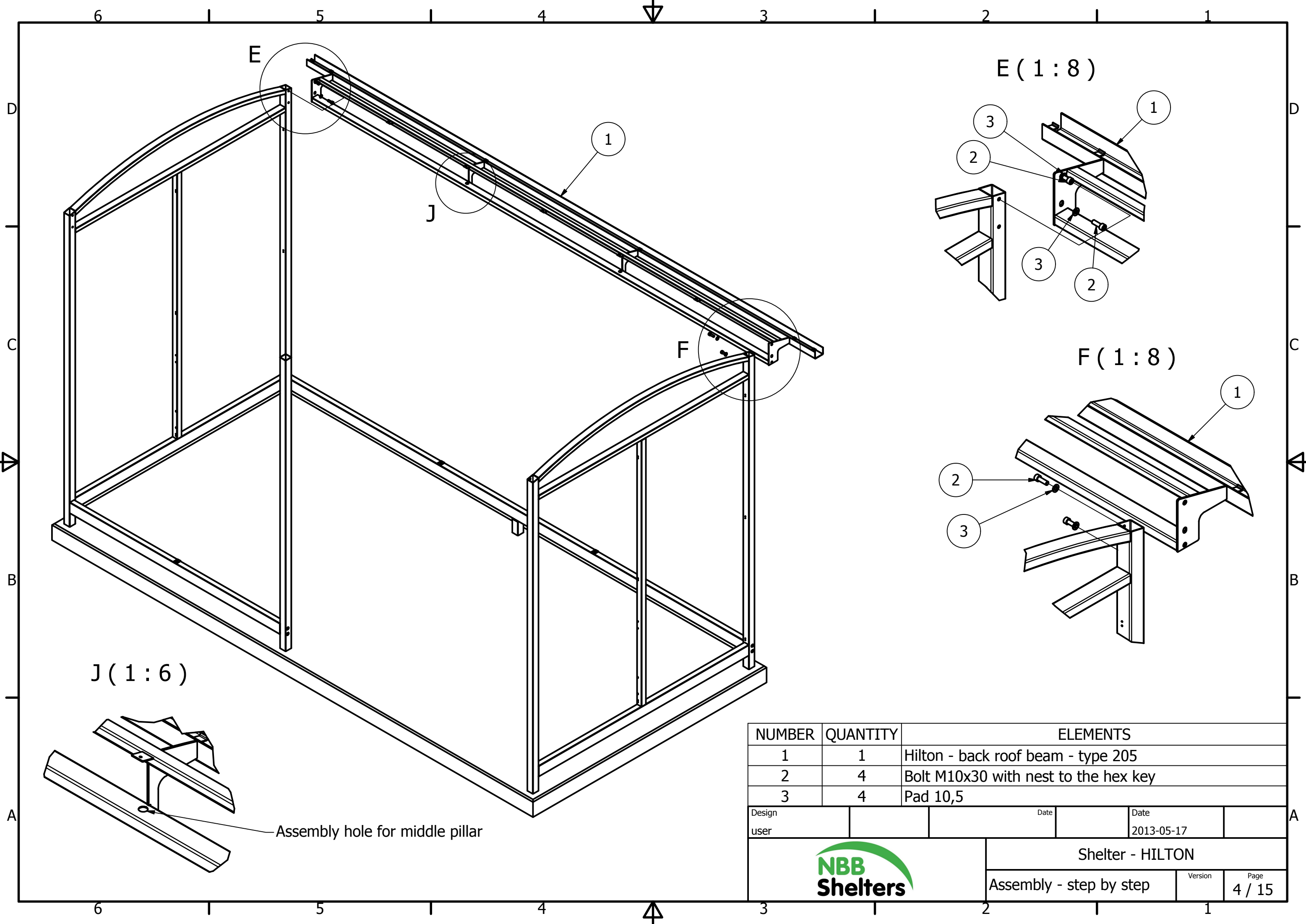
NUMBER	QUANTITY	ELEMENTS
1	1	Bottom beam - type 200
2	1	Smoking shelter pillar
3	4	Bolt M10x30 with nest to the hex key

Design user		Date		Date	2013-05-17
-------------	--	------	--	------	------------

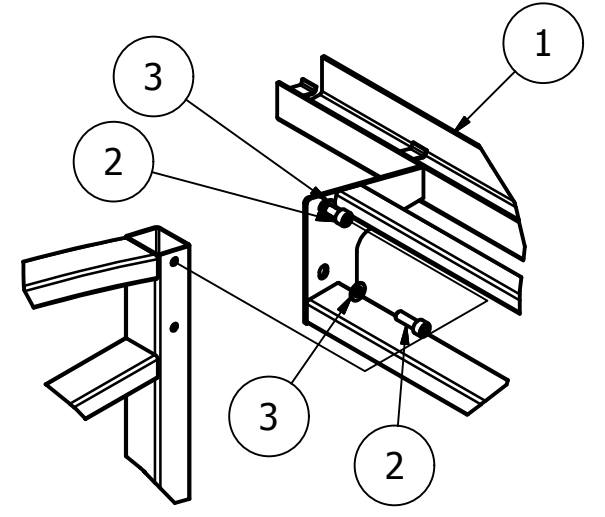


Shelter - HILTON	
Assembly - step by step	Version Page 3 / 15

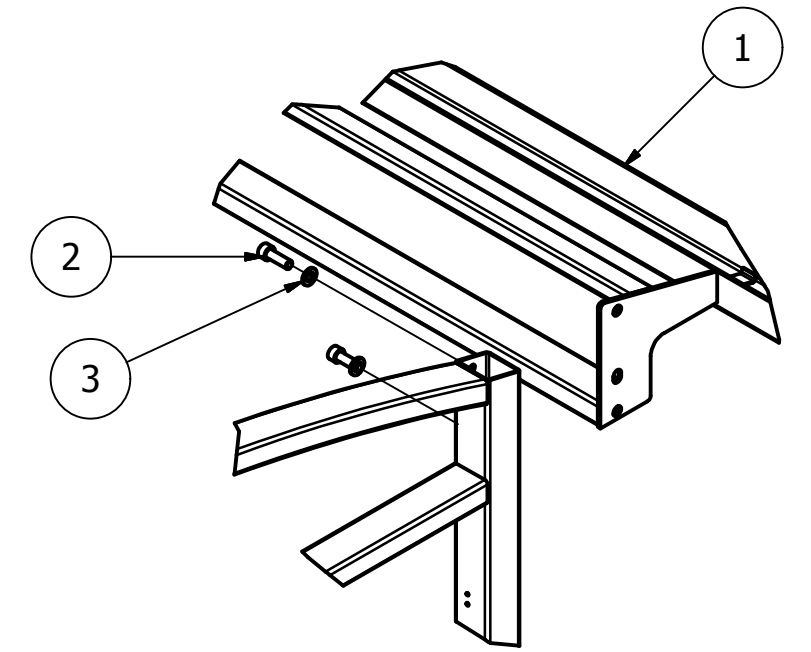




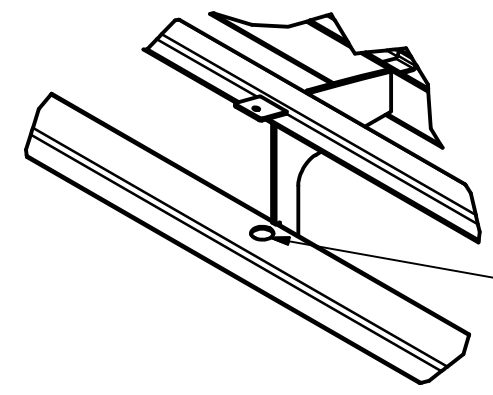
E (1 : 8)



F (1 : 8)



J (1 : 6)



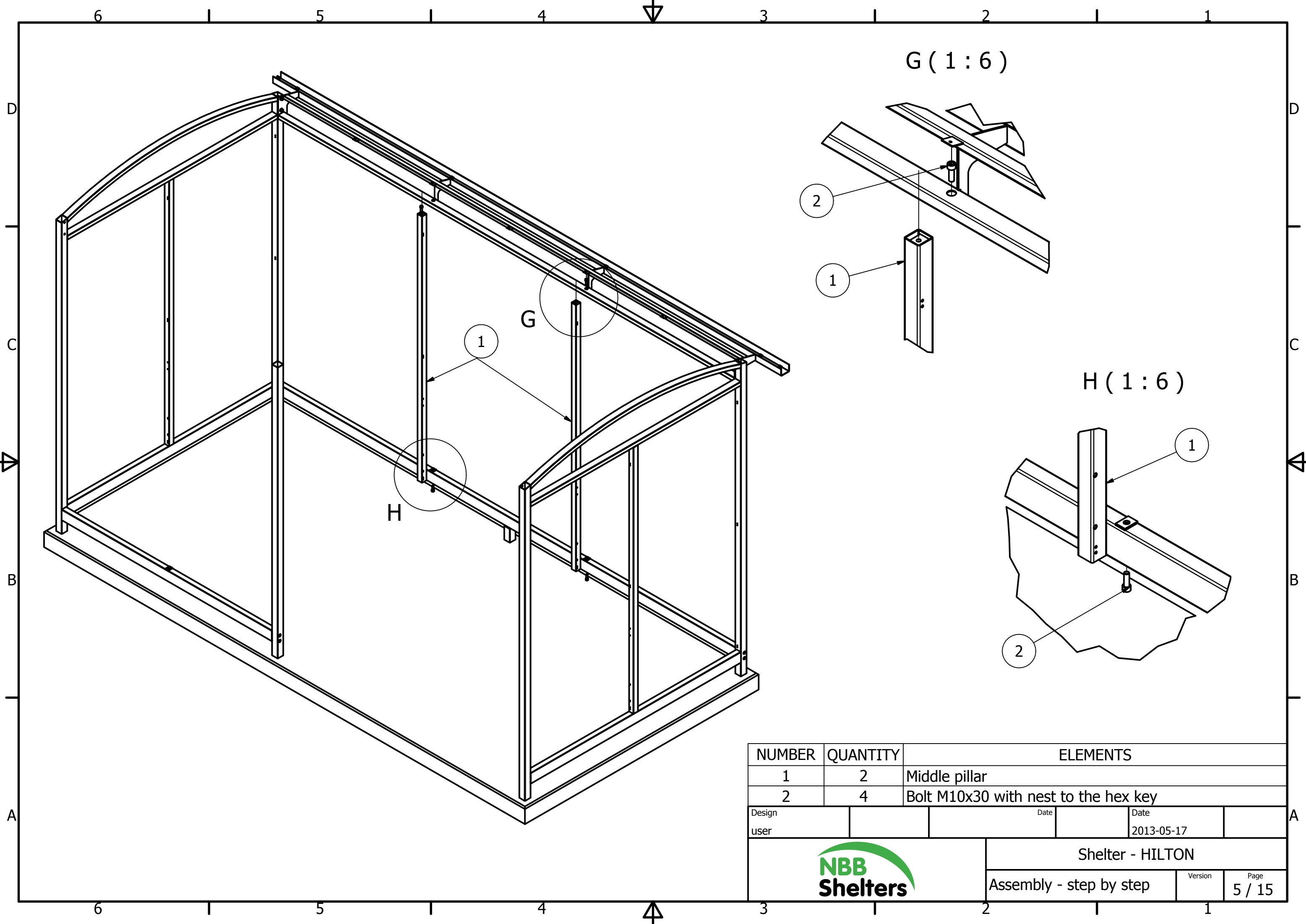
Assembly hole for middle pillar

NUMBER	QUANTITY	ELEMENTS
1	1	Hilton - back roof beam - type 205
2	4	Bolt M10x30 with nest to the hex key
3	4	Pad 10,5

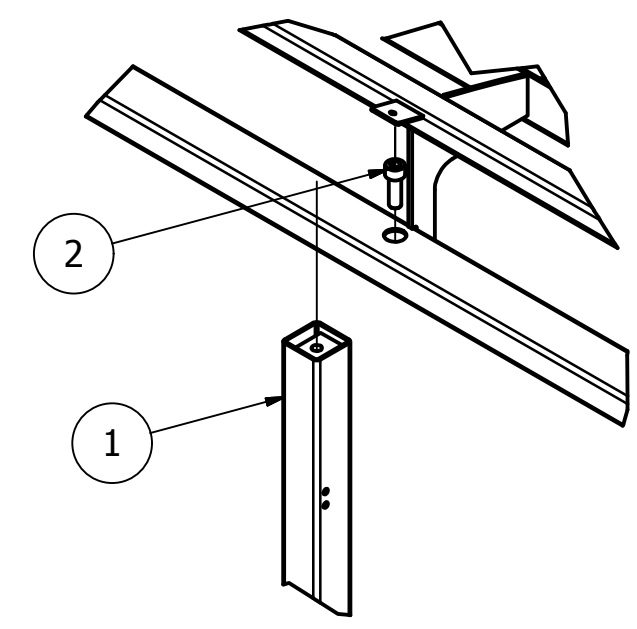
Design user		Date		Date	2013-05-17
-------------	--	------	--	------	------------



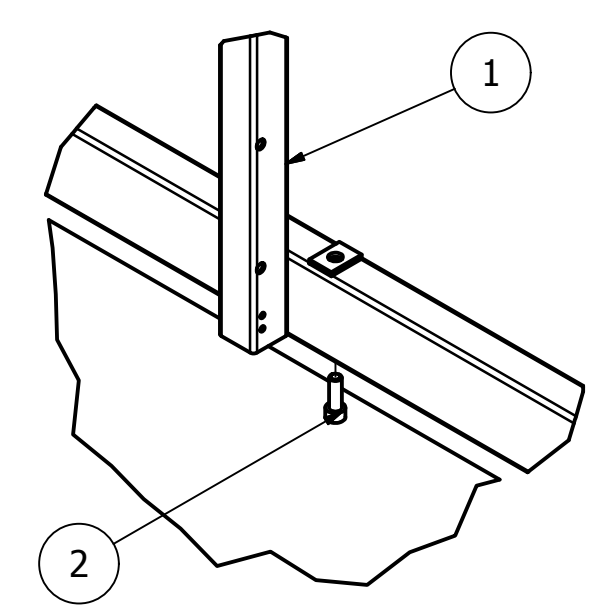
Shelter - HILTON	
Assembly - step by step	Version Page 4 / 15




G (1 : 6)

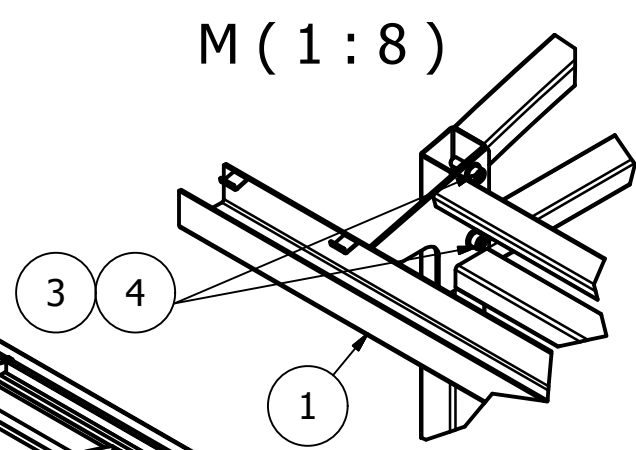
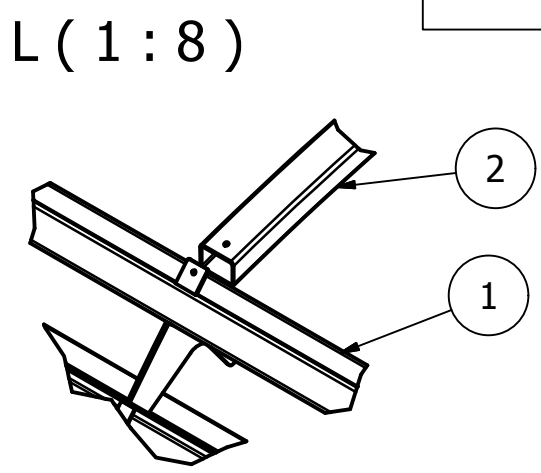
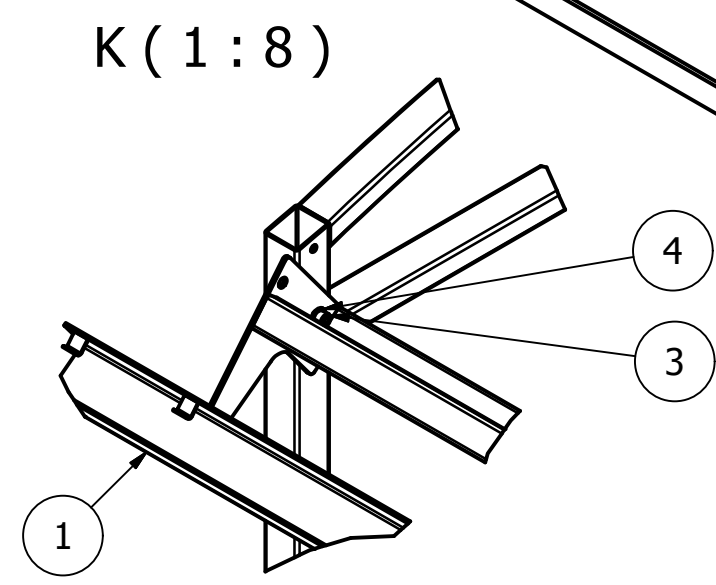
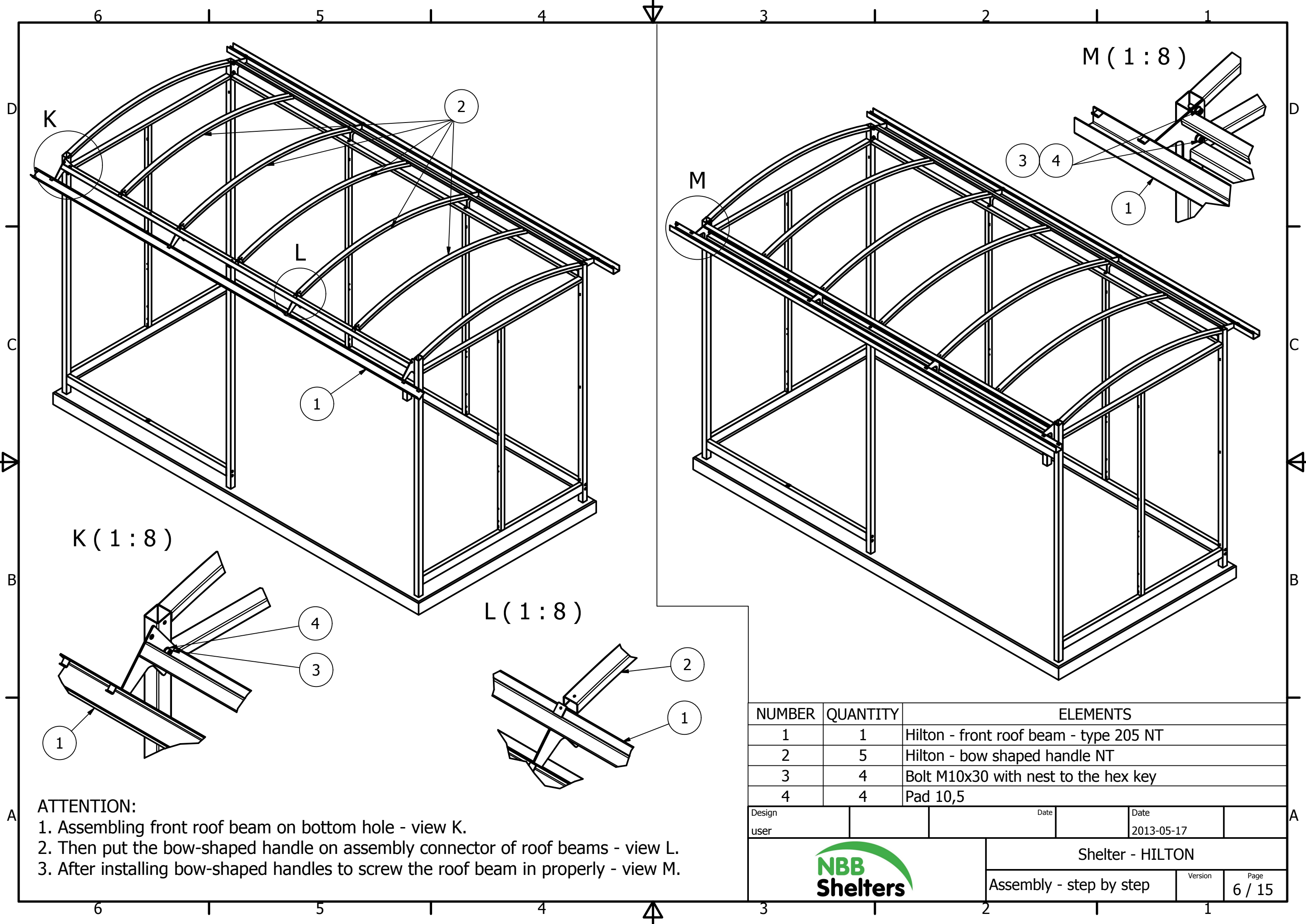


H (1 : 6)



NUMBER	QUANTITY	ELEMENTS
1	2	Middle pillar
2	4	Bolt M10x30 with nest to the hex key

Design user		Date		Date	2013-05-17
		Shelter - HILTON			
		Assembly - step by step	Version	Page	
				5 / 15	

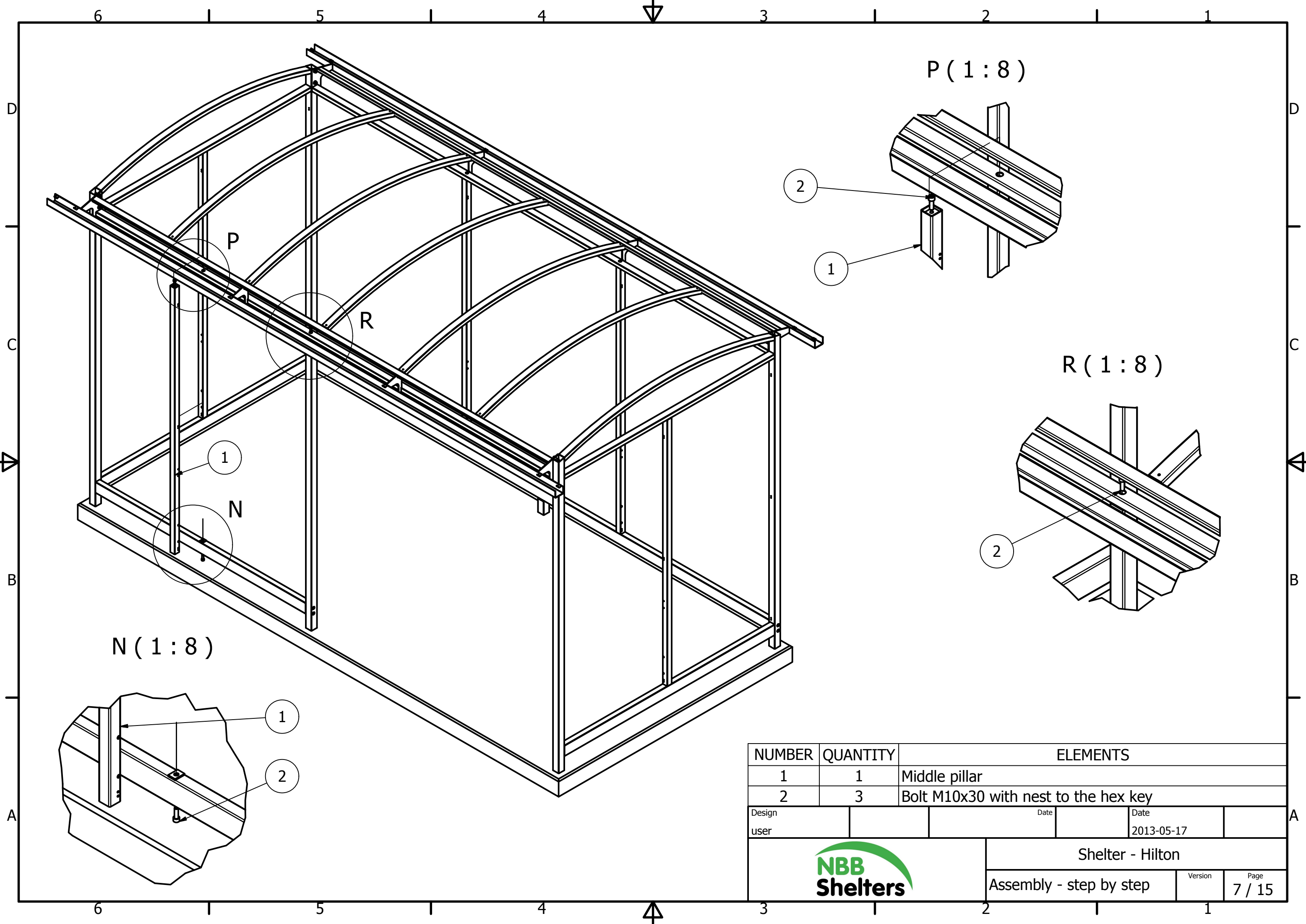


- ATTENTION:**
1. Assembling front roof beam on bottom hole - view K.
  2. Then put the bow-shaped handle on assembly connector of roof beams - view L.
  3. After installing bow-shaped handles to screw the roof beam in properly - view M.

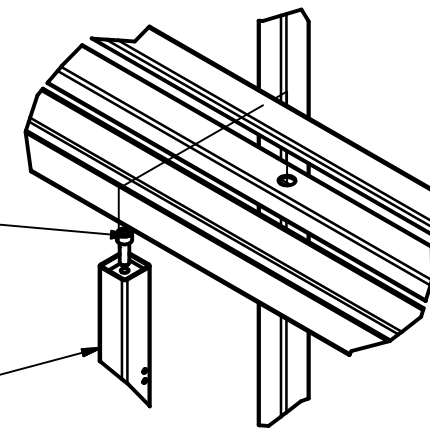
NUMBER	QUANTITY	ELEMENTS
1	1	Hilton - front roof beam - type 205 NT
2	5	Hilton - bow shaped handle NT
3	4	Bolt M10x30 with nest to the hex key
4	4	Pad 10,5

Design user		Date		Date	2013-05-17
-------------	--	------	--	------	------------

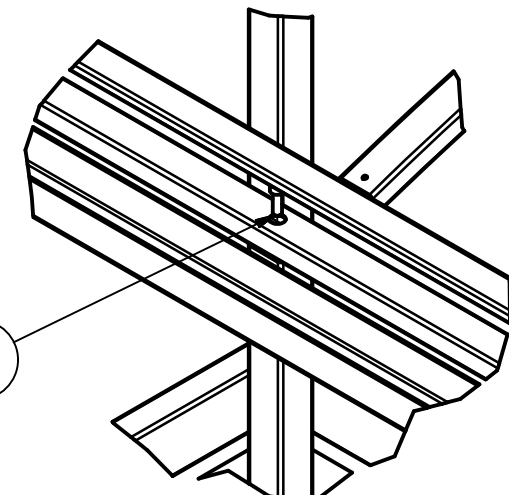




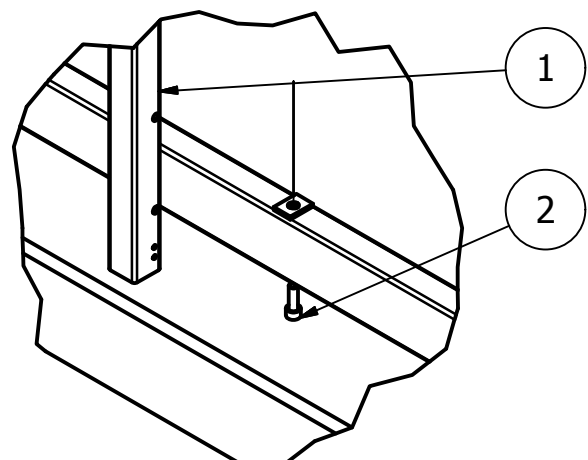
P (1 : 8)



R (1 : 8)



N (1 : 8)



NUMBER	QUANTITY	ELEMENTS
1	1	Middle pillar
2	3	Bolt M10x30 with nest to the hex key

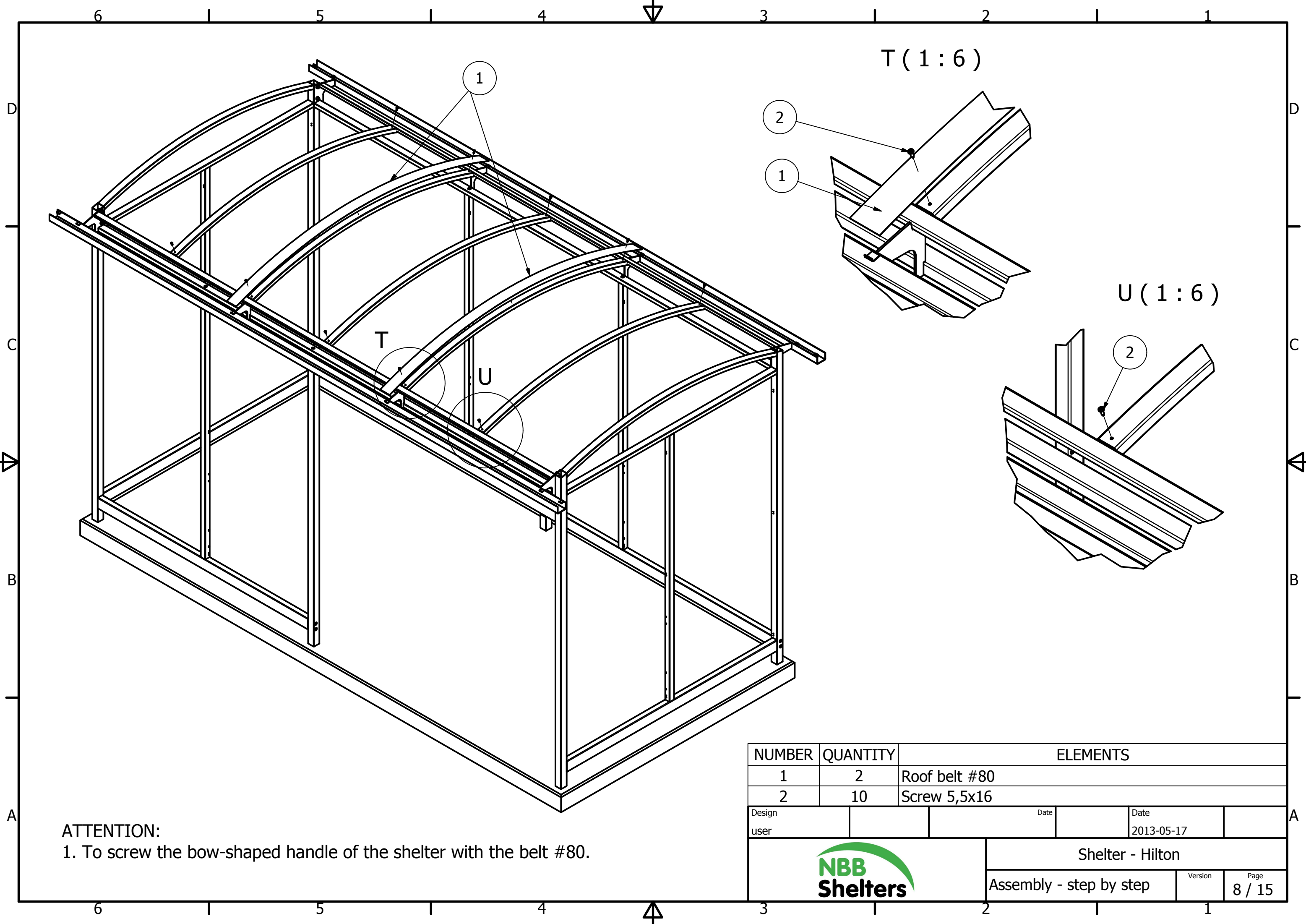
Design		Date	
user		2013-05-17	

		Shelter - Hilton	
		Assembly - step by step	Version
			7 / 15




Shelter - Hilton  
 Assembly - step by step  
 Version  
 Page 7 / 15

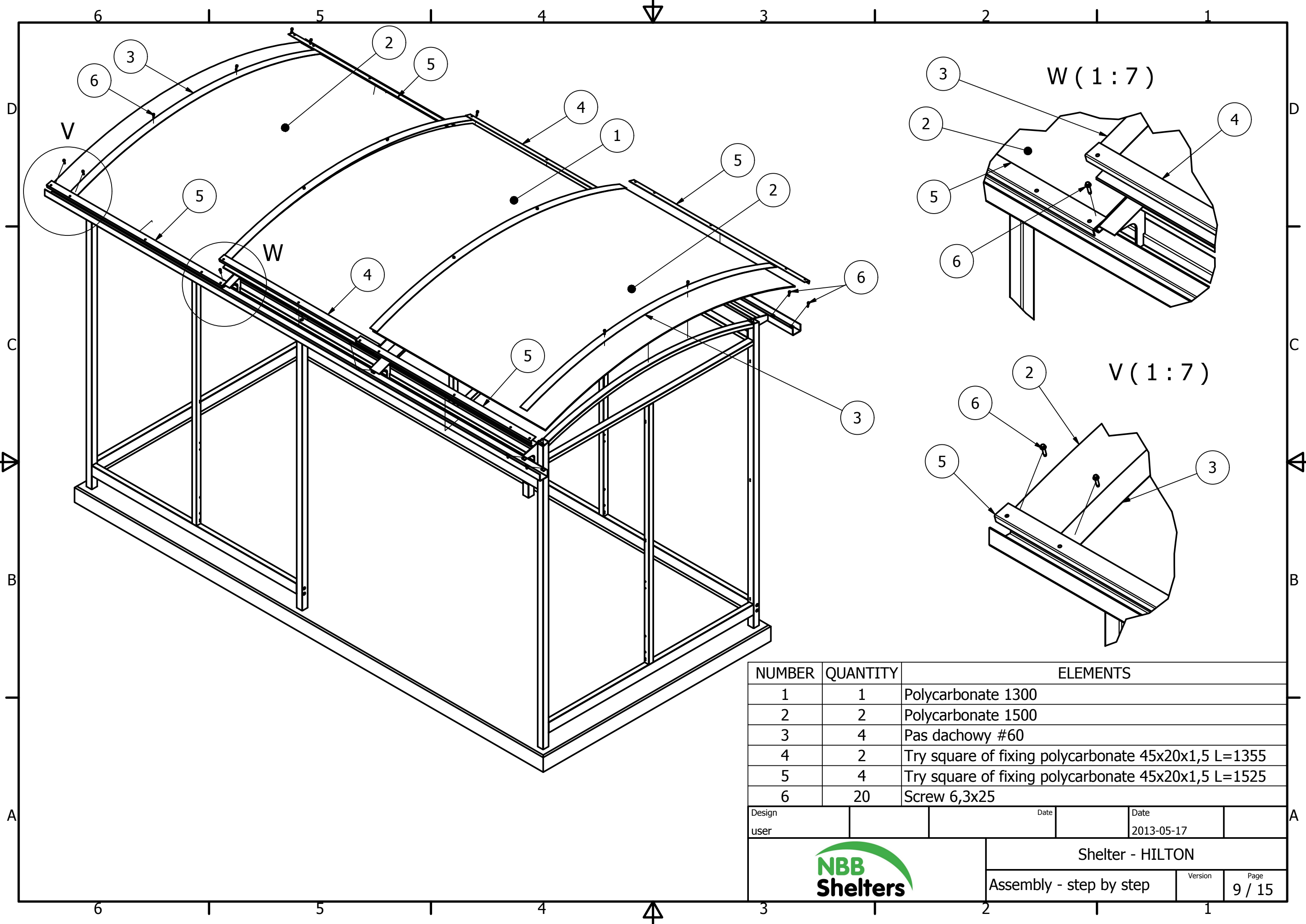




**ATTENTION:**  
 1. To screw the bow-shaped handle of the shelter with the belt #80.

NUMBER	QUANTITY	ELEMENTS			
1	2	Roof belt #80			
2	10	Screw 5,5x16			
Design user		Date		Date	
				2013-05-17	
			Shelter - Hilton		
			Assembly - step by step	Version	Page
					8 / 15

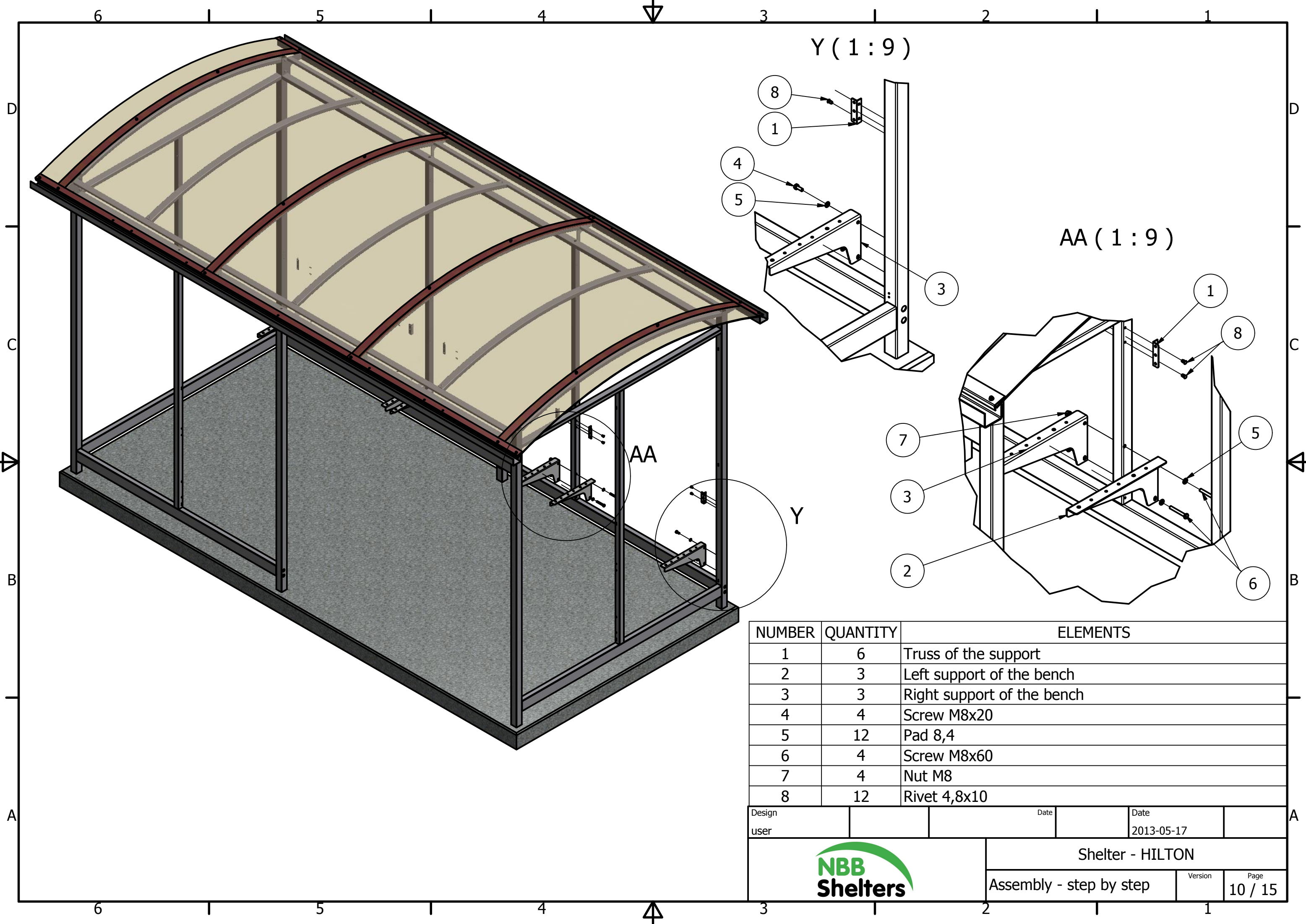




NUMBER	QUANTITY	ELEMENTS
1	1	Polycarbonate 1300
2	2	Polycarbonate 1500
3	4	Pas dachowy #60
4	2	Try square of fixing polycarbonate 45x20x1,5 L=1355
5	4	Try square of fixing polycarbonate 45x20x1,5 L=1525
6	20	Screw 6,3x25

Design user		Date	2013-05-17
-------------	--	------	------------





Y (1 : 9)

AA (1 : 9)

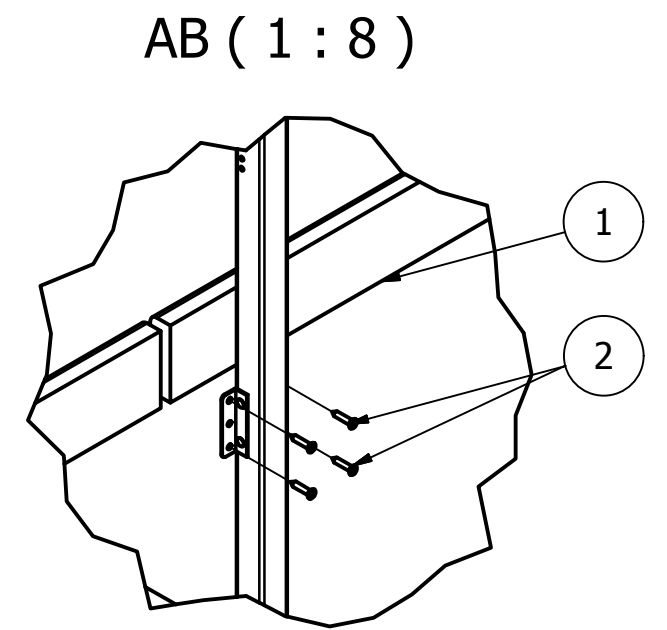
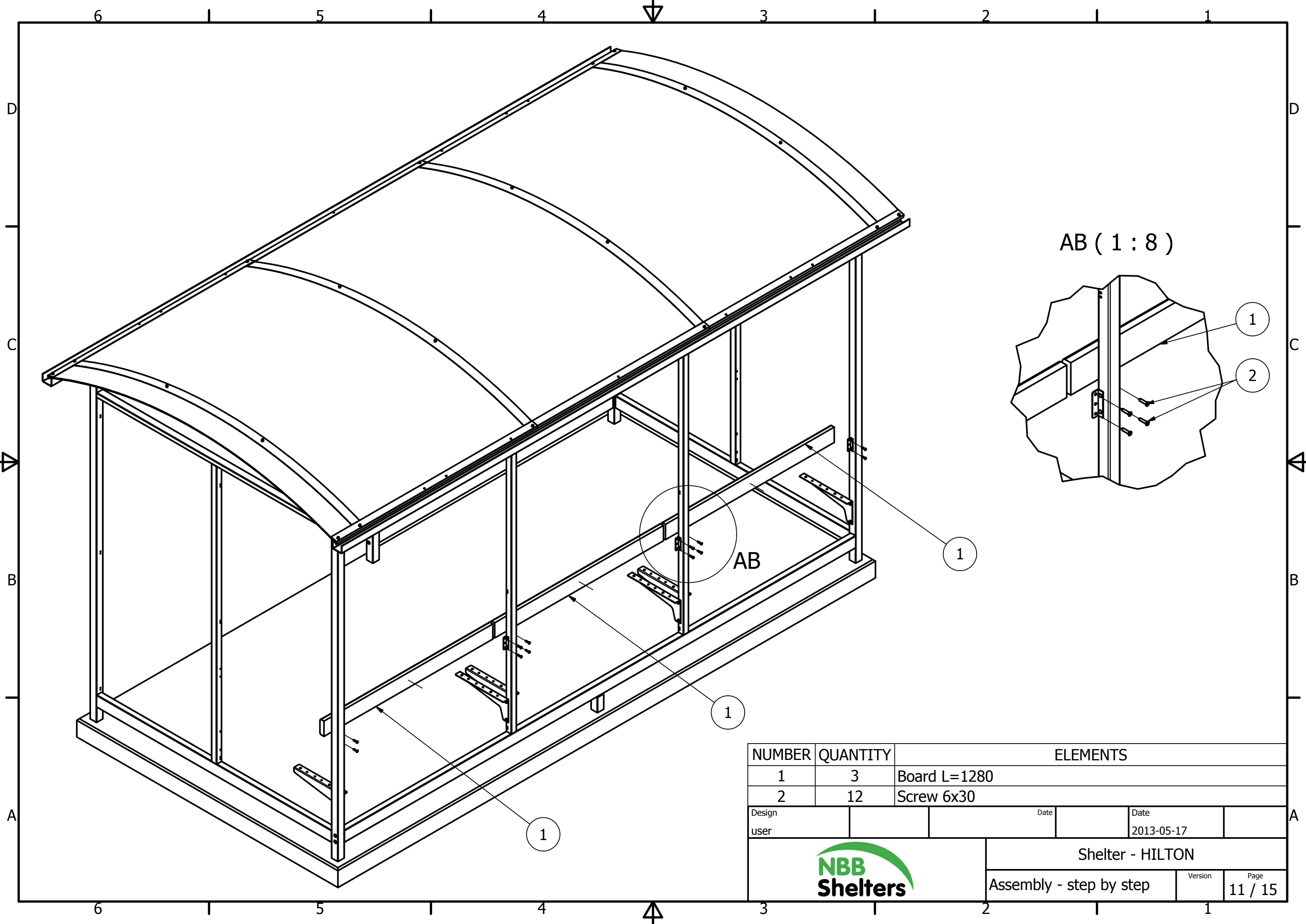
NUMBER	QUANTITY	ELEMENTS
1	6	Truss of the support
2	3	Left support of the bench
3	3	Right support of the bench
4	4	Screw M8x20
5	12	Pad 8,4
6	4	Screw M8x60
7	4	Nut M8
8	12	Rivet 4,8x10


Design user		Date		Date	2013-05-17
-------------	--	------	--	------	------------

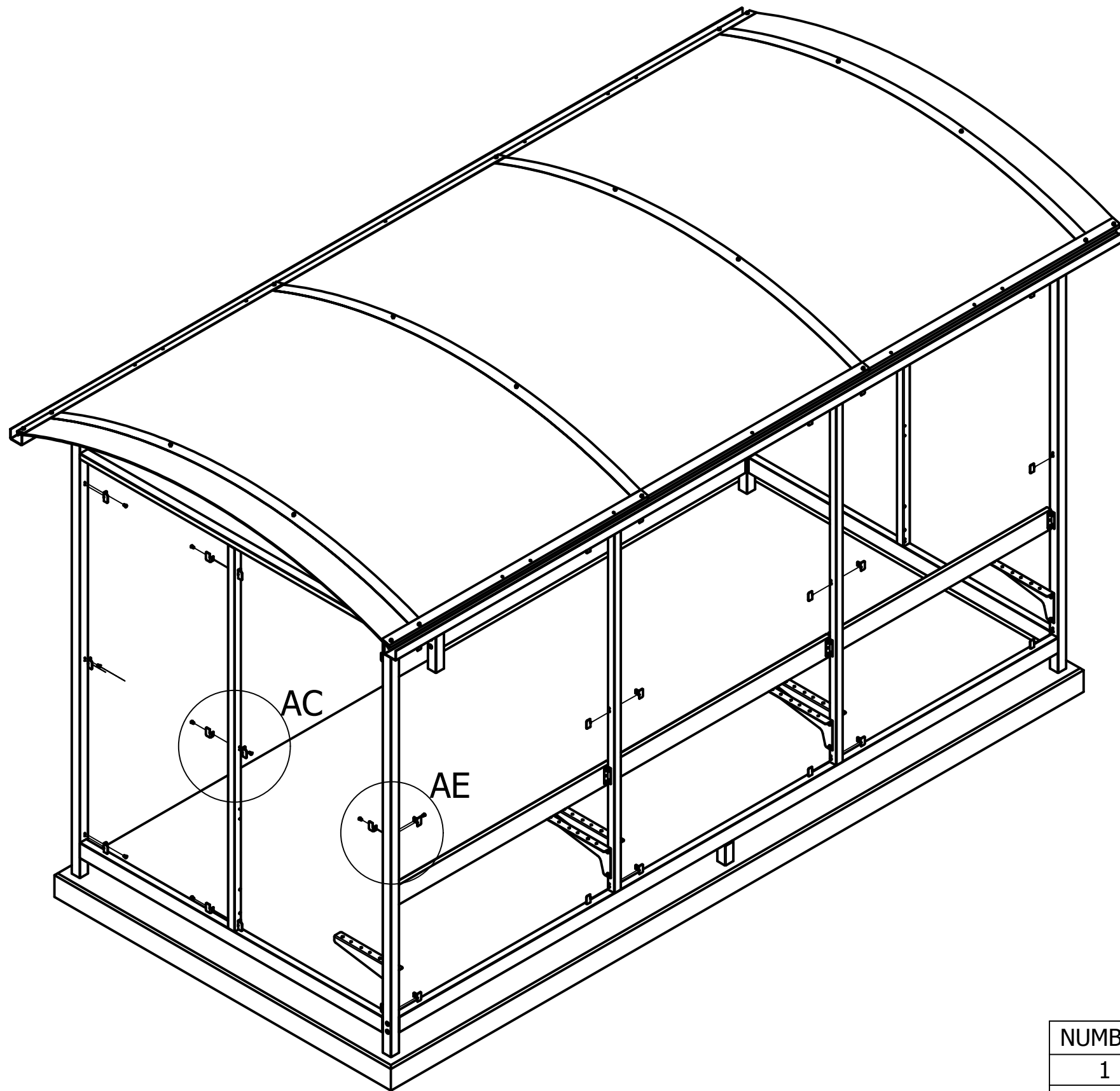


Shelter - HILTON	
Assembly - step by step	Version Page 10 / 15

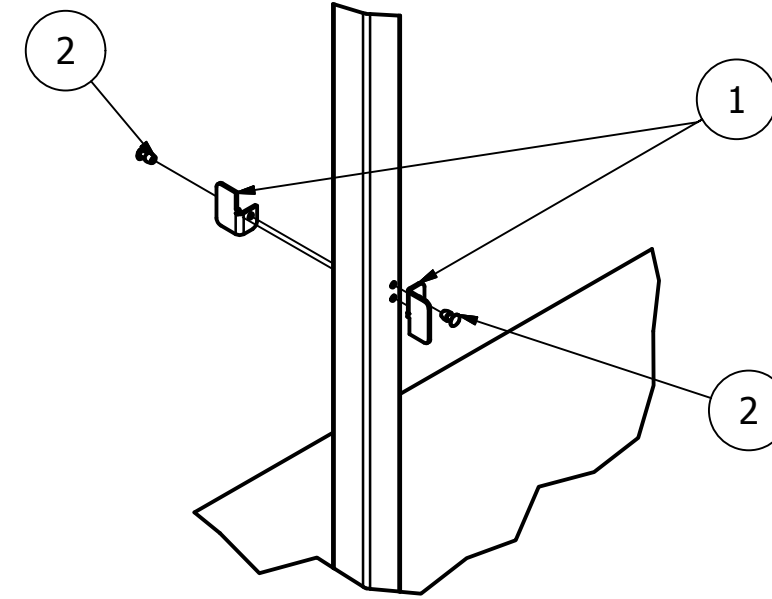




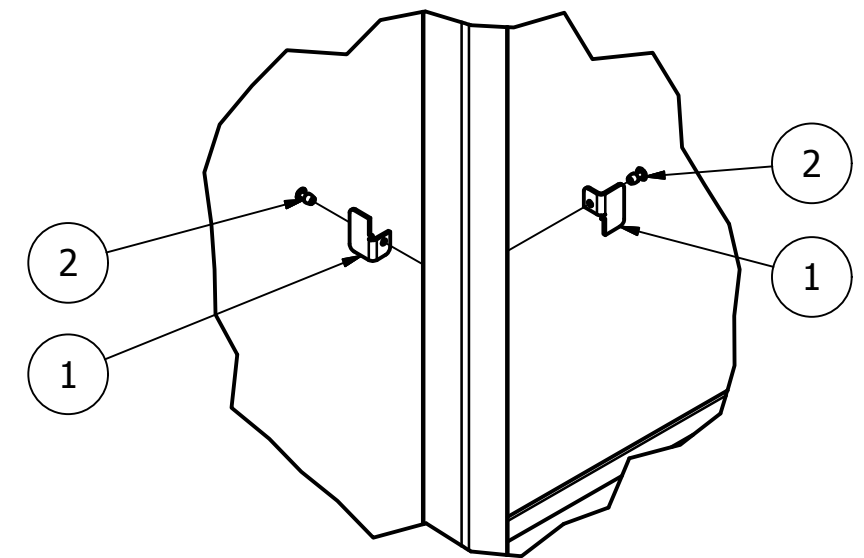
NUMBER	QUANTITY	ELEMENTS	
1	3	Board L=1280	
2	12	Screw 6x30	
Design user		Date	Date
			2013-05-17
		Shelter - HILTON	
		Assembly - step by step	Version Page 11 / 15



AC ( 1 : 6 )



AE ( 1 : 6 )



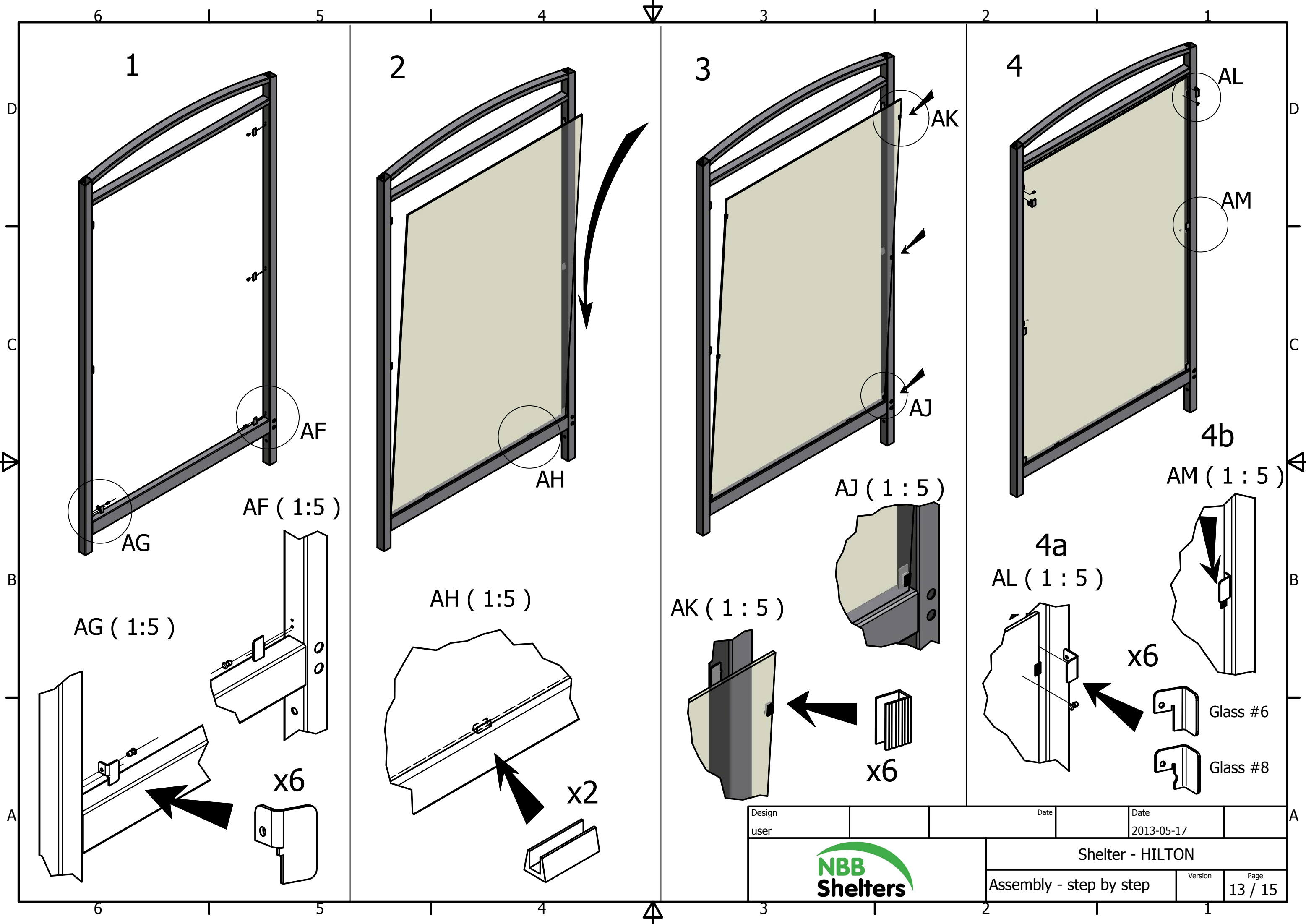
ATTENTION:  
1. Different setting of fixing glass for left and right side - view AE.


NUMBER	QUANTITY	ELEMENTS
1	54	Fixing glass 1
2	54	Rivet 4,8x10

Design user		Date		Date	2013-05-17
-------------	--	------	--	------	------------

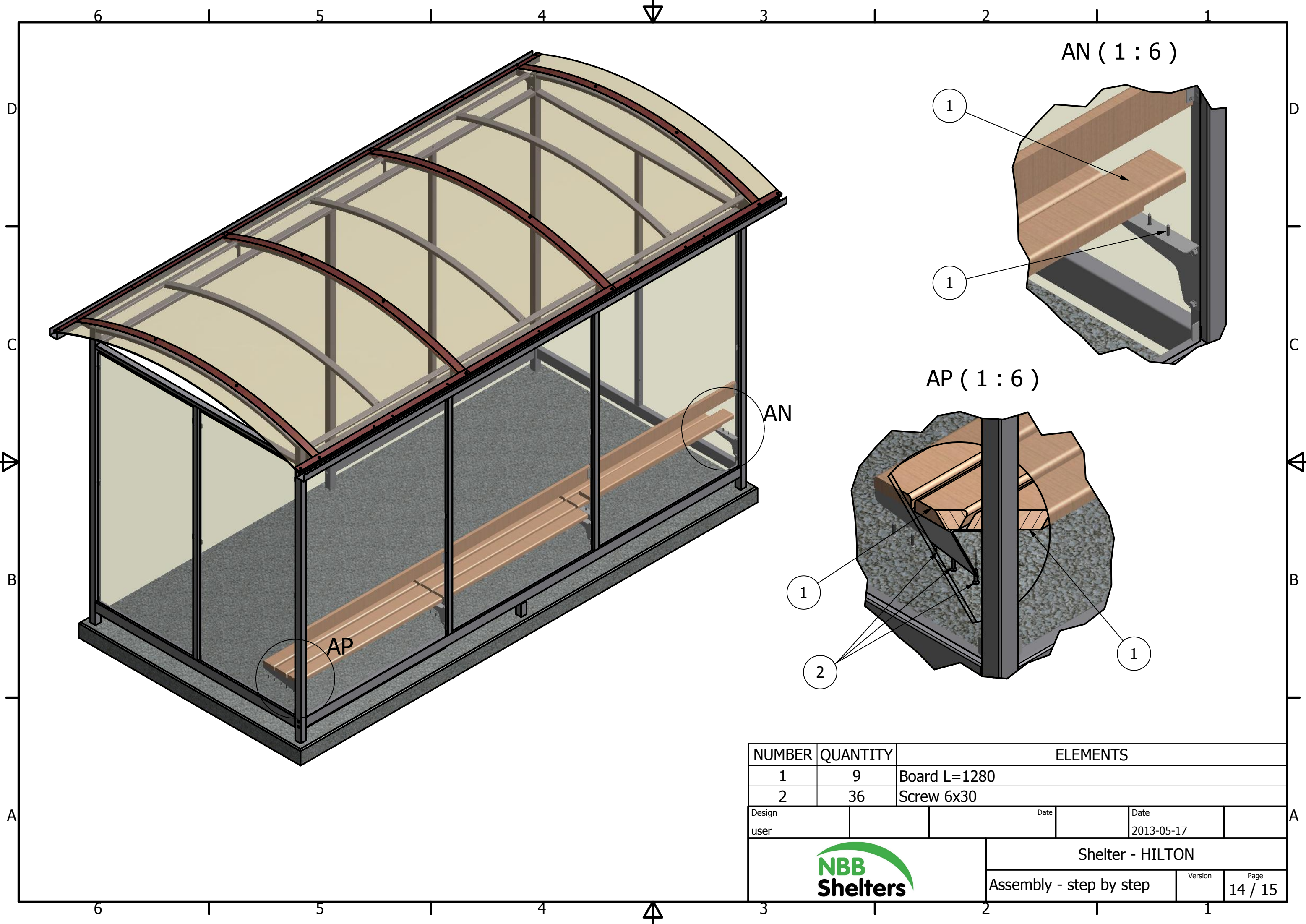



Shelter - HILTON	
Assembly - step by step	Version Page 12 / 15

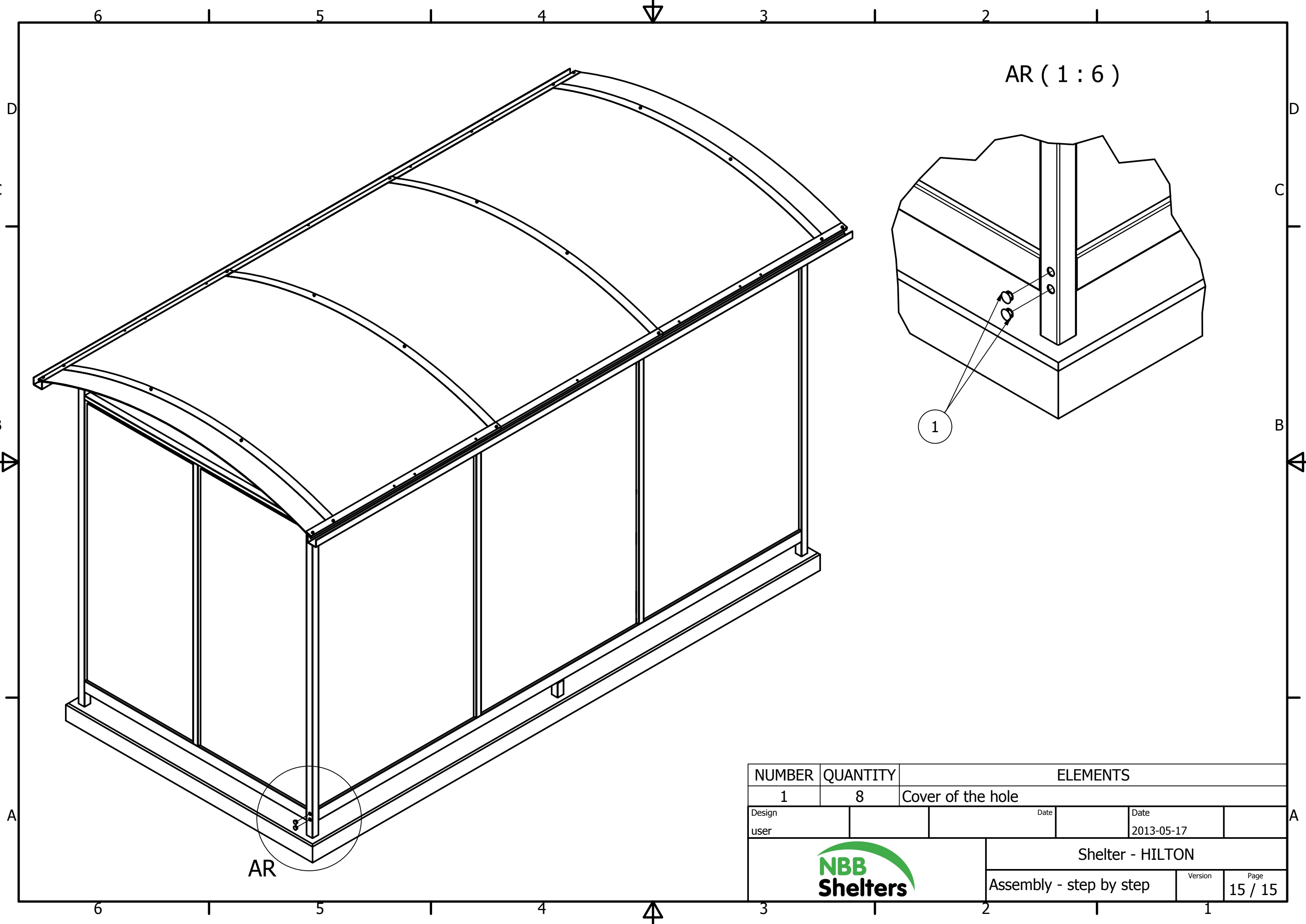


Design user		Date	2013-05-17
		Shelter - HILTON	
		Assembly - step by step	Page 13 / 15






NUMBER	QUANTITY	ELEMENTS			
1	9	Board L=1280			
2	36	Screw 6x30			
Design user		Date		Date	
				2013-05-17	
			Shelter - HILTON		
			Assembly - step by step	Version	Page
				14 / 15	



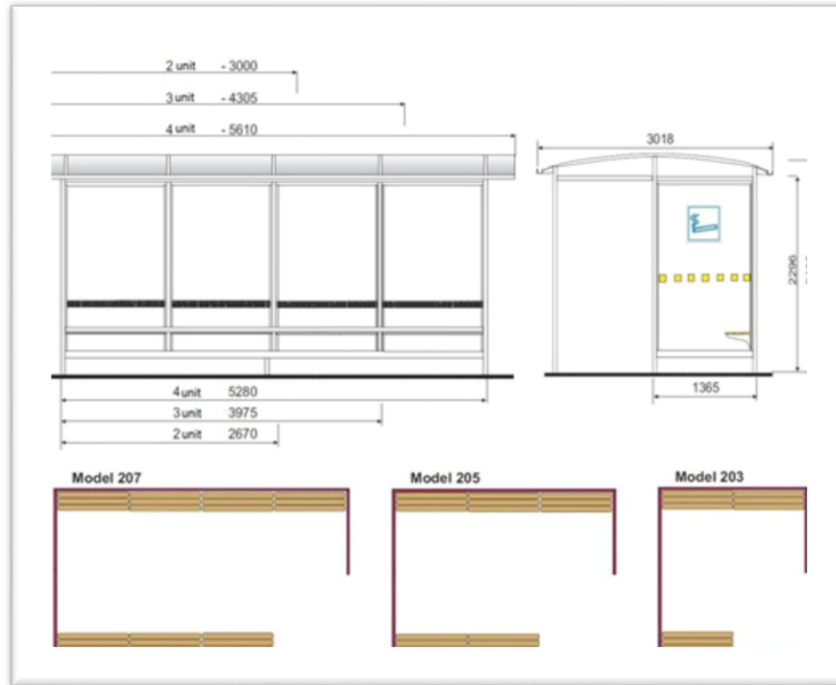
AR ( 1 : 6 )

AR

NUMBER	QUANTITY	ELEMENTS			
1	8	Cover of the hole			
Design user		Date		Date	
				2013-05-17	
		Shelter - HILTON			
		Assembly - step by step	Version	Page	15 / 15



# Variances:



Notes:

Notes:





**THANK YOU**  
**FOR PURCHASING THIS PRODUCT**

**MAINTENANCE:**

To ensure your products give you many years of use we recommend that you:

- Clean panels regularly with soapy water
- Ensure all fittings are tight (for example after a big storm)
- Touch up any exposed metal should it get scratched

**CONTACT DETAILS:**

Email: [sales@nobutts.co.uk](mailto:sales@nobutts.co.uk)

Tel: 0800 1777 052

Unit 5, Sterte Road Industrial Estate,

Sterte Road, Poole, Dorset

BH15 2AF